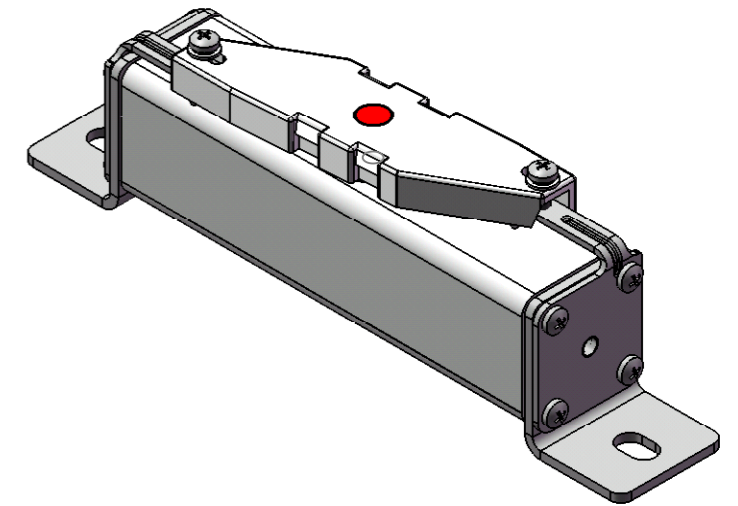
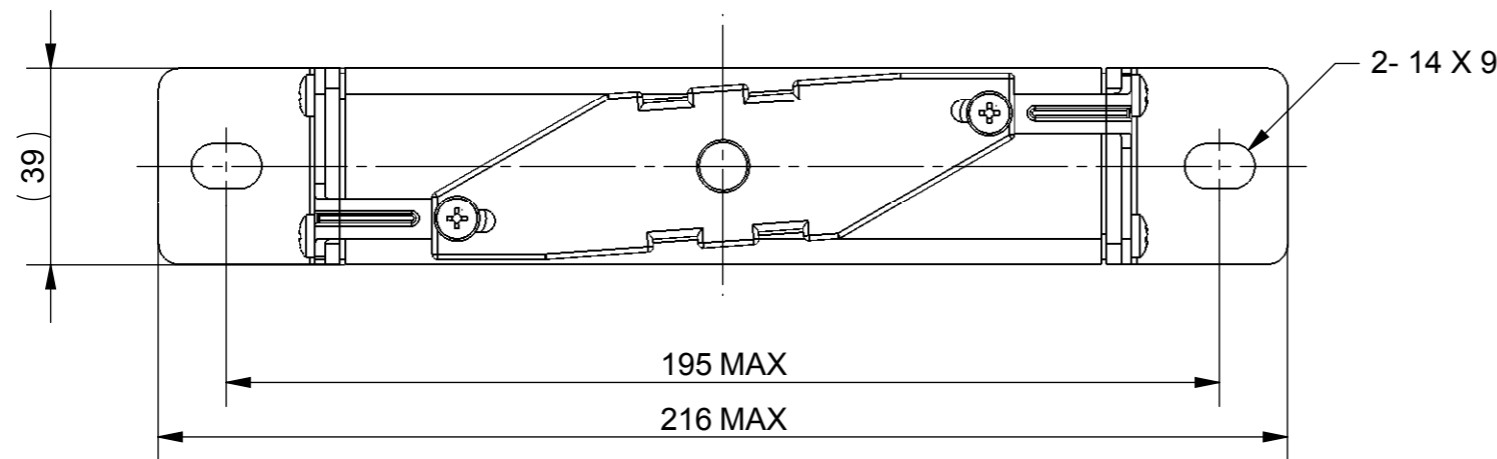
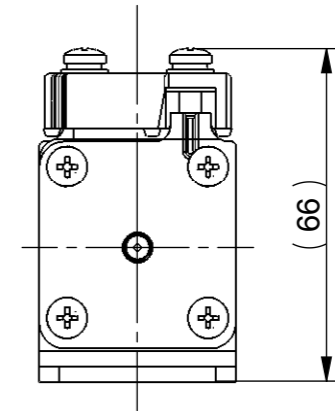
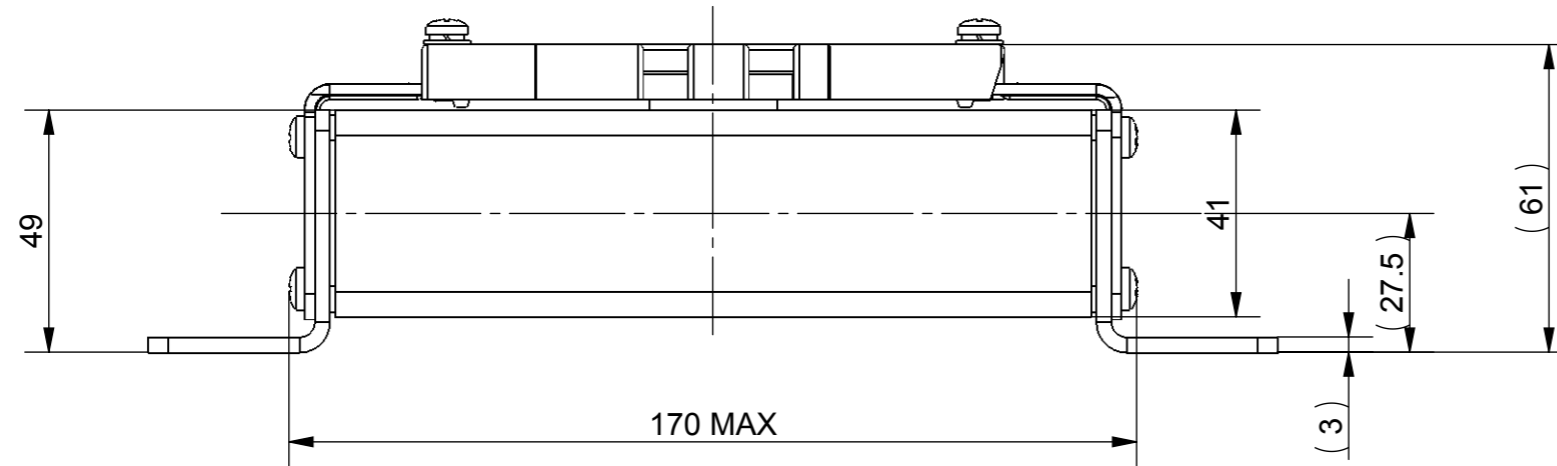


DESIGN UNITS: METRIC (mm)  
UNLESS OTHERWISE SPECIFIED [INCHES] FIRST ANGLE PROJECTION

REVISION				
REV	DESCRIPTION	BY	DATE	CHANGE NO.
A	SOLIDWORKS FIRST ISSUE	LYZ	12/07/10	80000049



MODEL VERSION: 00	MATERIAL: VARIOUS	UNLESS OTHERWISE SPECIFIED TOLERANCES TO BE: METRIC ± 0.4mm INCHES ± 0.016in. ANGULAR ± 1° ◇ INDICATES SIGNIFICANT DIMENSION OR FEATURE △ INDICATES CRITICAL CHARACTERISTIC (MUST MEET CPK REQUIREMENTS)
	FINISH: NATURAL	
MODEL SOURCE FILE: U4650009	GENERAL DRAWING STANDARDS INCLUDING TOLERANCING ARE IN ACCORDANCE WITH - BS 8888 (ISO 8015)	
<p><b>CONFIDENTIAL.</b> The information contained in this document is the property of Cooper Industries, Inc. It is not for public disclosure. Possession of the information does not convey any right to loan, sell or disclose the information. Unauthorized reproduction or use of the information is prohibited. This document is to be returned to Cooper Industries, Inc. upon completion of the purpose for which it is loaned or upon request.</p> <p><b>COPYRIGHT.</b> COOPER INDUSTRIES, INC. This is an unpublished work. The disclosure of this work is limited to select personnel. Further dissemination or disclosure to the public is PROHIBITED. This unpublished work is protected by Federal Copyright law and all rights thereunder are reserved by Cooper Industries, Inc.</p>		

**COOPER Bussmann**  
St. Louis MO 63178

*COOPER Xian Fusegear Co., Ltd.*  
NO. 86 Jinye Road High-Tech Zone  
Xian China, 710077  
Tel: +86 029 8824 1869  
Fax: +86 029 8822 9227

TITLE:  
OUTLINE DRAWING-FUSE 2000VDC 1C/150 LC AR

DWG NO: 2XR-900-357					
DRAWN BY: LYZ	CHECKED BY: ROY	DATE: 12/07/10	SCALE: NTS	SIZE: A3	SHEET: 1 OF 1
○ C	○ E/1201	○ J/1208	○ SE	○ 4062	○ 2010
○ 4063	○ 4217	○ N/1204	○ SP	○ 4049	○ V/5022
○ D	○ 4219	○ SB	○ U	● X	○ /5023