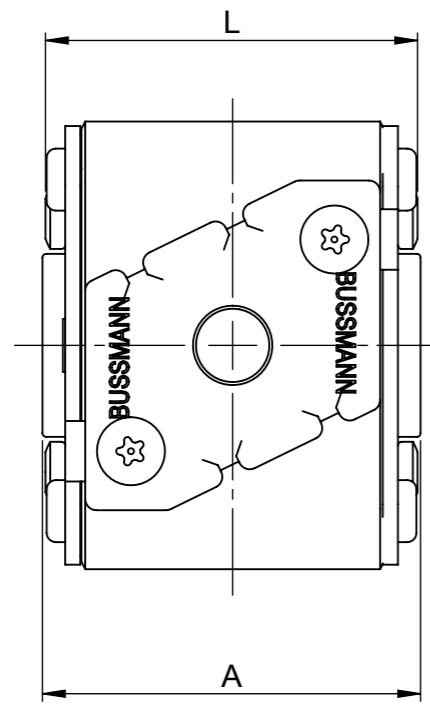
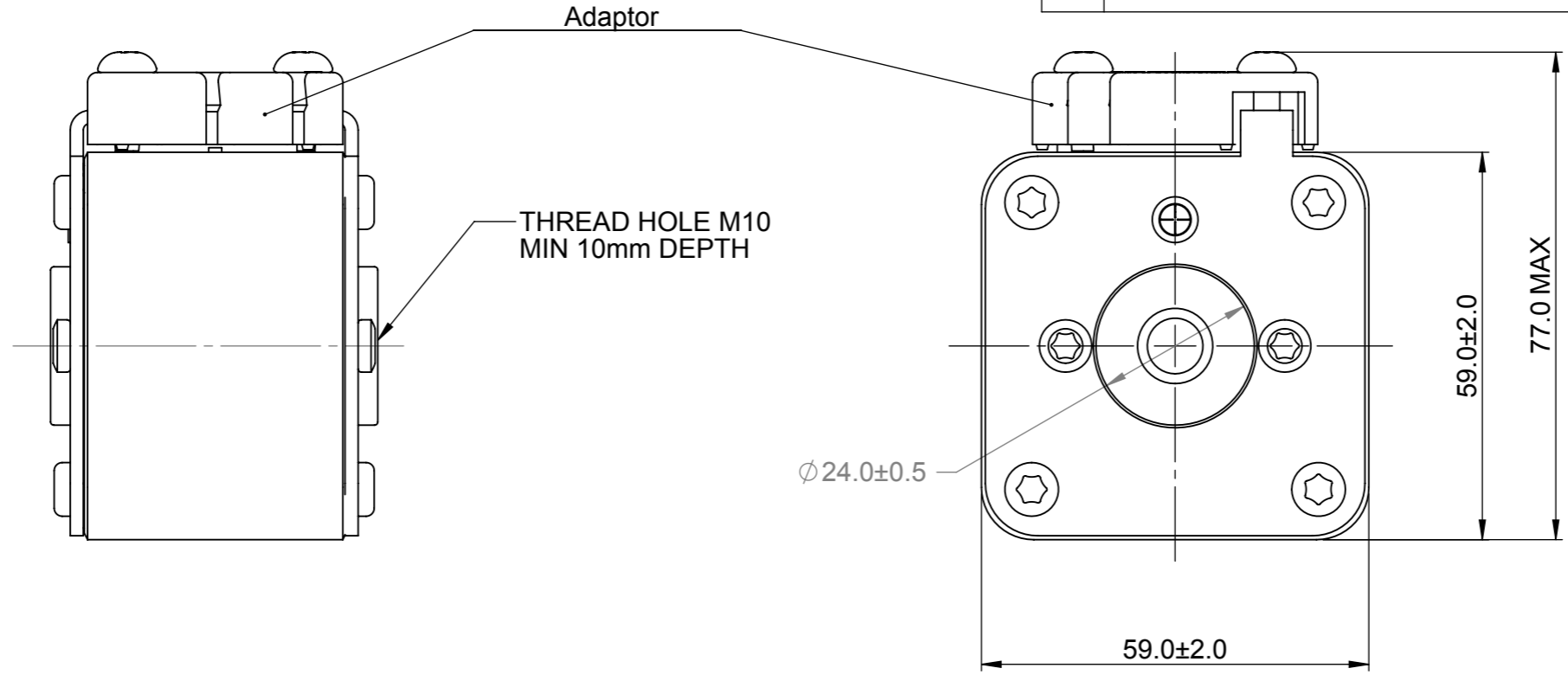
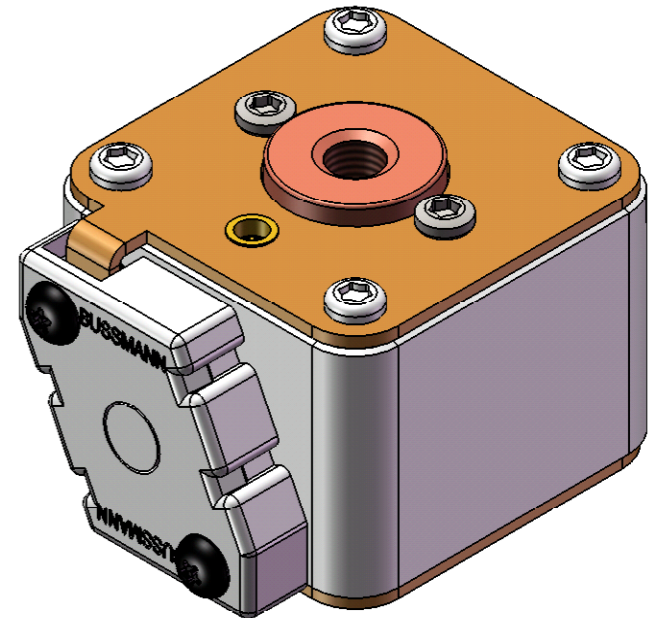


REVISION				
REV	DESCRIPTION	BY	DATE	CHANGE NO.
A	REDRAWN IN SW:FIRST ISSUE	KVS	07/05/2010	14008



POS	TYPE	A mm	L mm	SUITABLE ADAPTOR
1	2BKN / 50	50.4 ± 1.2	49.2 ± 1.5	170H0066
2	2BKN / 75	74.4 ± 1.4	73.2 ± 1.7	170H0066
3	2BKN / 80	79.3 ± 1.5	73.2 ± 1.7	170H0067
4	2BKN / 105	104.4 ± 1.5	73.2 ± 1.7	170H0067
5	2BKN / 65	65.4 ± 1.2	49.2 ± 1.5	170H0066
6	2BKN / 90	91.4 ± 1.5	79.2 ± 1.7	170H0067



MODEL VERSION: 00	MATERIAL: VARIOUS	UNLESS OTHERWISE SPECIFIED, ALL DIMENSIONS ARE IN MILLIMETERS. TOLERANCES UNLESS OTHERWISE SPECIFIED: GENERAL ± 0.2mm ANGULAR ± 1°	COOPER Bussmann		COOPER Bussmann (UK) Ltd Burton-on-the-Wolds, Leics, LE12 5TH Tel +44 1509 882 600 Fax +44 1509 882786				
	FINISH: NONE		UNCONTROLLED COPY		TITLE: HIGH SPEED FUSES SIZES 2 FOR STUDS				
	SURFACE AREA: VARIOUSmm <sup>2</sup>		THIS DRAWING IS CONFIDENTIAL AND THE COPYRIGHT OF COOPER BUSSMANN AND MUST NOT BE COPIED OR PASSED ON TO A THIRD PARTY WITHOUT WRITTEN CONSENT		DWG NO: 170x0077		ANGLE: FIRST		
	VOLUME: 104852.47mm <sup>3</sup>				REV: A				
MODEL SOURCE FILE: U0108	MASS: 295.50g			DRAWN BY: KVS	CHECKED BY: TJ	DATE: 06/04/09	SCALE: 1:1	SIZE: A3	SHEET: 1 OF 1

Drawing template A3 : Rev 4