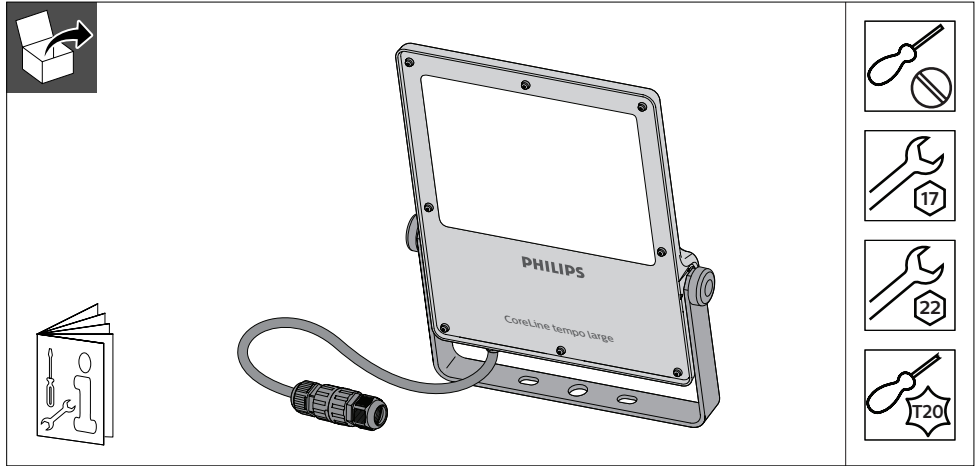


PHILIPS

CoreLine tempo large

BVP130



220V
240V

50Hz
60Hz



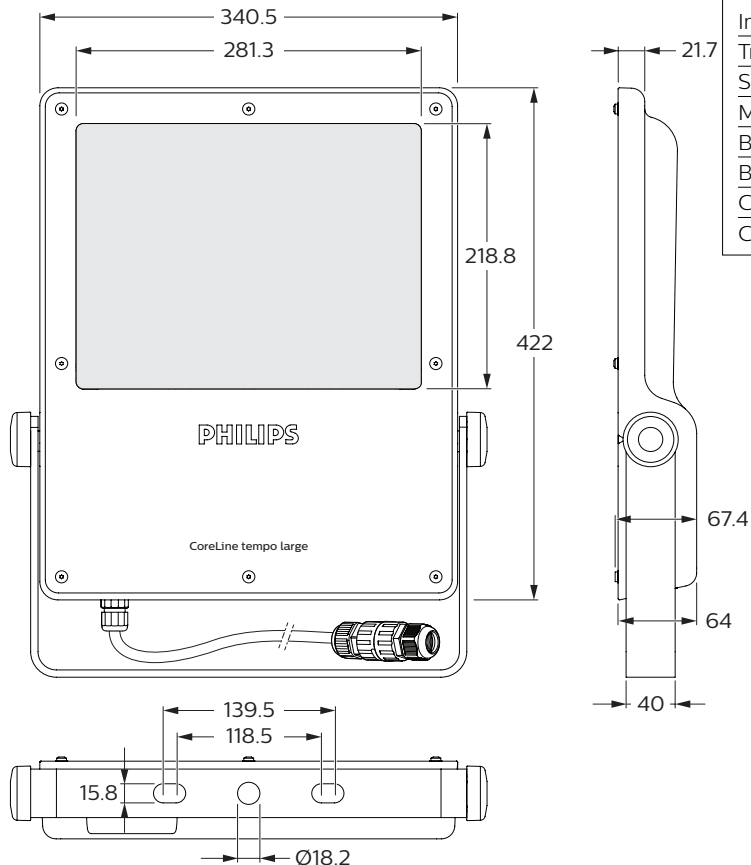
IK08

IP66

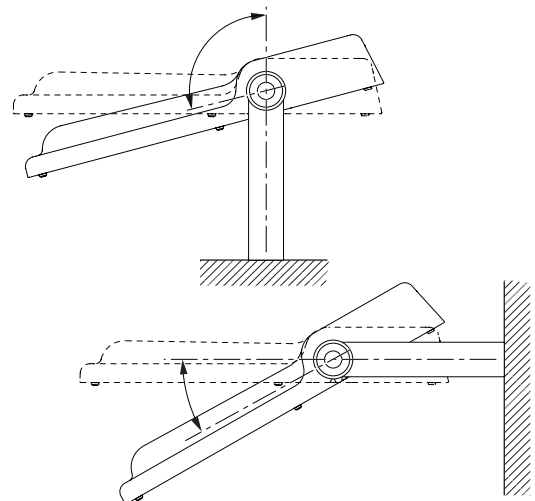


	Luminaire Flux (lm)	Power (W)	Beam	m ²	kg
BVP130 LED260/740 A	26000	217	Asymmetric	0.15	7.5
BVP130 LED210/740 A	21000	162			
BVP130 LED160/740 A	16000	120			
BVP130 LED120/740 A	12000	93			
BVP130 LED80/740 A	8000	60			
BVP130 LED260/740 S	26000	217	Symmetric	0.15	7.5
BVP130 LED210/740 S	21000	162			
BVP130 LED160/740 S	16000	120			
BVP130 LED120/740 S	12000	93			
BVP130 LED80/740 S	8000	60			

Dimensions in mm

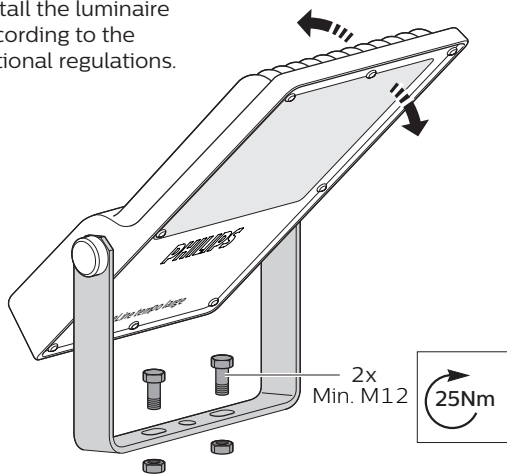


	LED260	LED160
	LED210	LED120
	LED80	
I _{max} (A)	53	53
T _{ref} (µs)	300	300
Surge protection (kV)	6	6
MCB	No. max. luminaires to be connected	
B-10 A	2	4
B-16 A	4	8
C-10 A	4	8
C-16 A	6	13



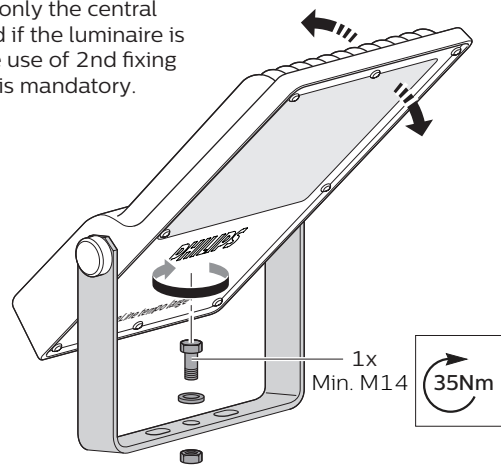


Install the luminaire according to the national regulations.

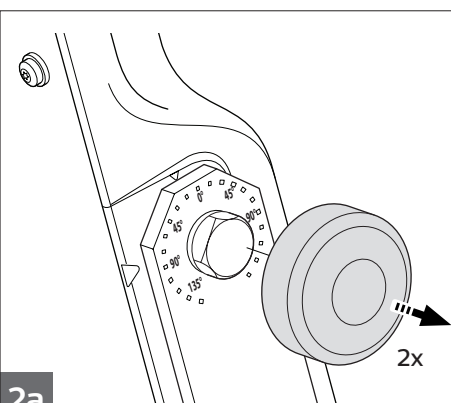


1a

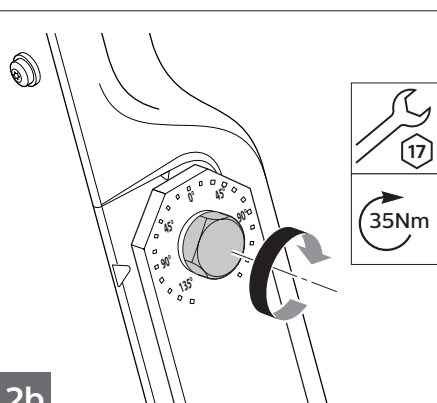
In case of using only the central hole fixation and if the luminaire is higher >3 m, the use of 2nd fixing security system is mandatory.



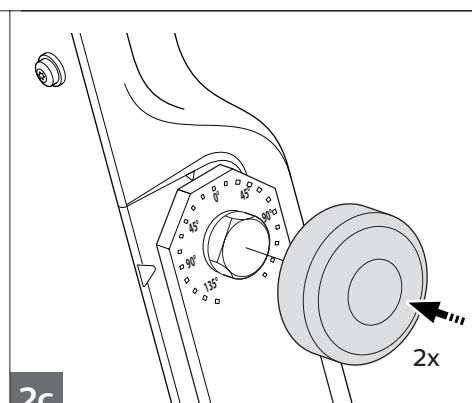
1b



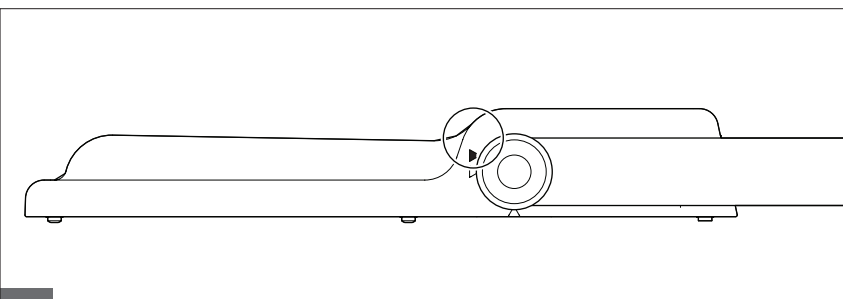
2a



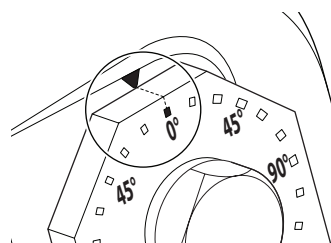
2b



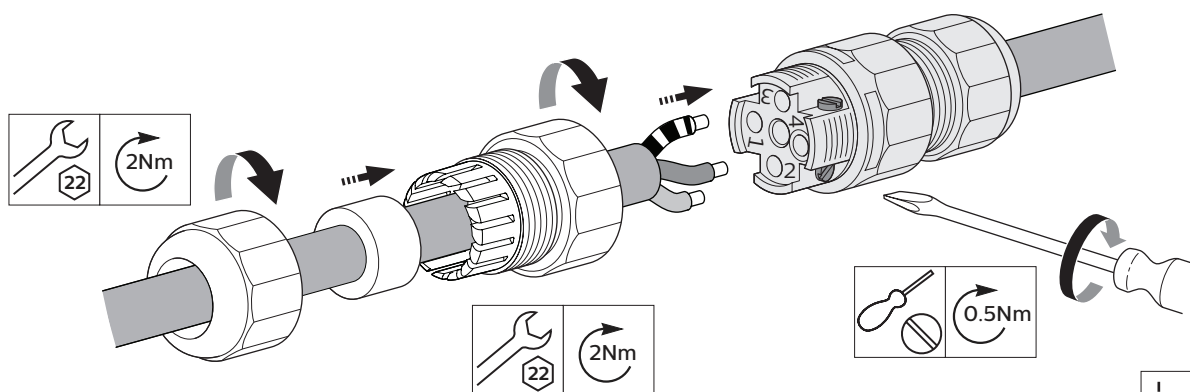
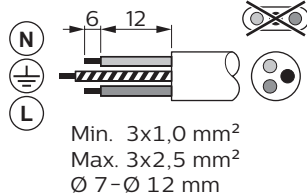
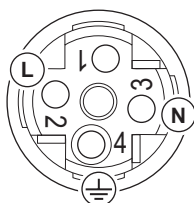
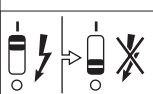
2c



3a



PSU

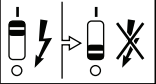


3b

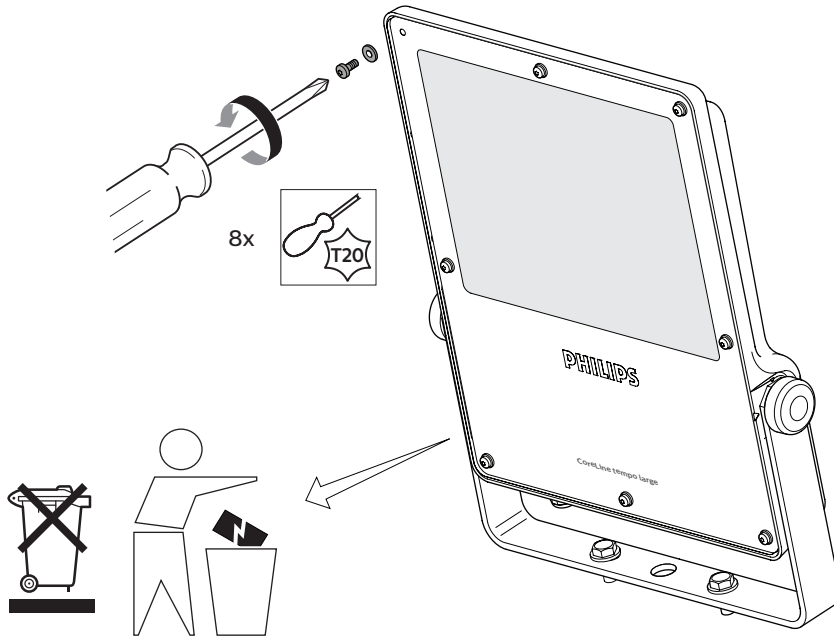




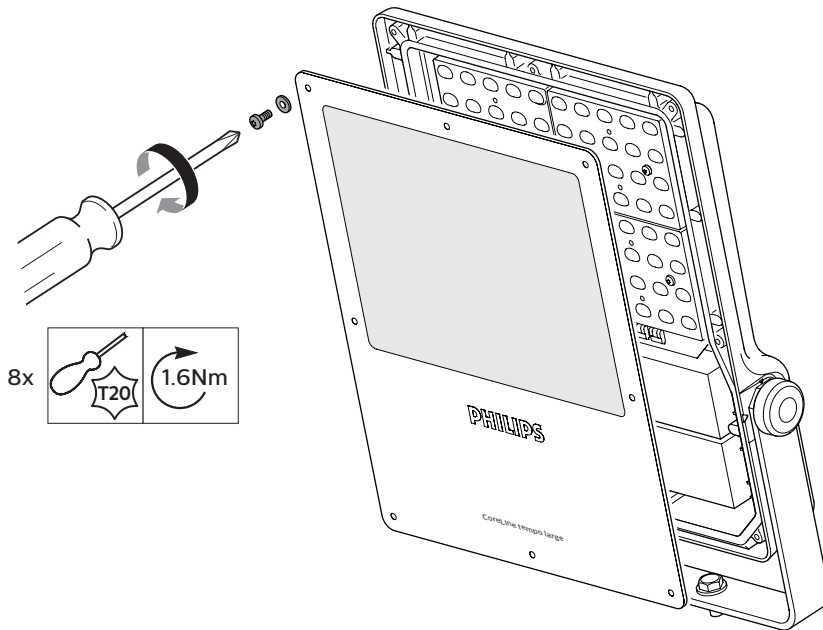
glass maintenance instruction.



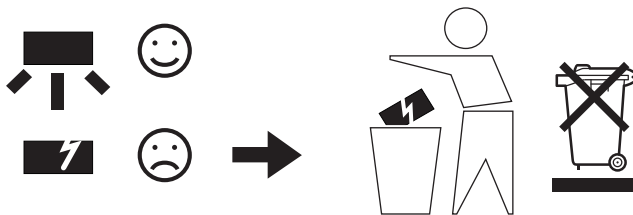
The luminaire power should be switched off before opening.



4a



4b



- The light source contained in this luminaire shall only be replaced by the manufacturer or his service agent or a similar qualified person.
- The luminaire shall be installed or maintained by a qualified electrician and wired in accordance with the latest IEE electrical regulations or the national requirements.
- If the external flexible cable or cord of this luminaire is damaged, it shall be exclusively replaced by the manufacturer or his service agent or a similar qualified person in order to avoid a hazard.
- Outdoor use only.



© 2016 Philips Lighting Holding B.V.

All rights reserved. Reproduction in whole or in part is prohibited without the prior written consent of the copyright owner. The information presented in this document does not form part of any quotation or contract, is believed to be accurate and reliable and may be changed without notice. No liability will be accepted by the publisher for any consequence of its use. Publication thereof does not convey nor imply any license under patent- or other industrial or intellectual property rights.

Philips Lighting Holding B.V.
The Netherlands