



TCW 095 236



TCW 095 136

## TCW 095

Economical dust-and jet-proof luminaire for TLD fluorescent lamp(s). Gear tray, plastic toggles, cable entries (membranes) and washers for ceiling fixing supplied with the luminaire. For suspension applications, accessories are available.

### Classifications

IP 65  
IK 02  
Class I  
Complies with IEC 598 and



### Main applications

- Dust and moisture protected
- Impact protected

### Features

- Good cost/performance ratio.
- Ease of installation.
- Through wiring.

### Materials and finish

Housing: fiber-glass-reinforced polyester.  
Cover: acrylic.  
Clips: plastic.

### Installation and mounting

Mounting: individual.  
Method: holes for (wood) screw fixing.

### Accessories

Eyebolts for suspension and suspension brackets for mounting on TTX 400 trunking.



ZCW 095/EB

### ZCW 095/EB

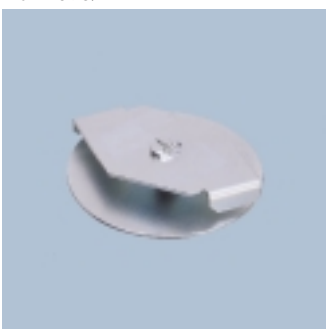
2 eyebolts for suspension of the luminaires

---

#### Type

ZCW 095/EB

---



TTX 410 WB

### TTX 410 WB

2 suspension brackets to mount luminaires on TTX 410 trunking

---

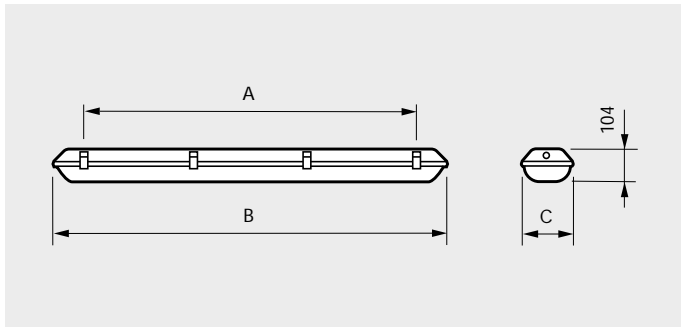
#### Type

TTX 410 WB

---

# Waterproof Luminaires

TCW 095 PACIFIC

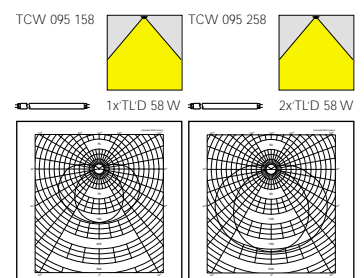


Dimensions in mm

Type	A	B	C
TCW 095 1x18 W	320	690	121
TCW 095 2x18 W	490	690	167
TCW 095 1x36 W	900	1300	121
TCW 095 2x36 W	900	1300	167
TCW 095 1x58 W	1200	1600	121
TCW 095 2x58 W	1200	1600	167

Type	Lamp	Net Wt. (kg)	Packing dimensions (mm)	Qty per box	Ordering number
TCW 095/136 IC	1 x TL'D 36W	2.4	1306 x 120 x 112	1	9104 021 16318
TCW 095/236 IC	2 x TL'D 36W	3.4	1306 x 166 x 112	1	9104 021 16618
TCW 095/158 IC	1 x TL'D 58W	3.2	1606 x 120 x 112	1	9104 021 16418
TCW 095/258 IC	2 x TL'D 58W	4.7	1606 x 166 x 112	1	9104 021 16718

All 230V/50Hz. Other voltages/Hz are available upon request.



**PHILIPS**